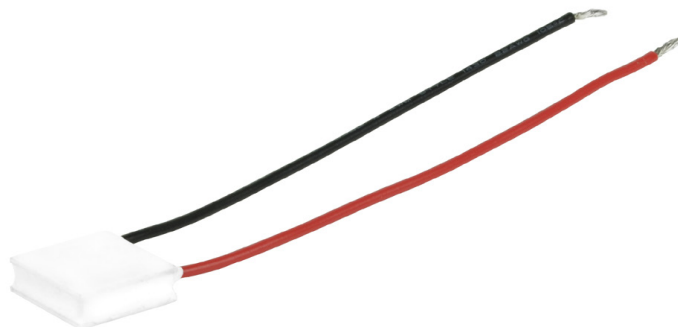




**SERIES:** CP20 | **DESCRIPTION:** PELTIER MODULE

**FEATURES**

- solid state device
- small and lightweight
- precise temperature control
- quiet operation

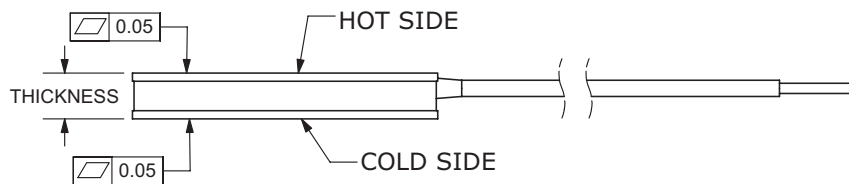


**MODEL**

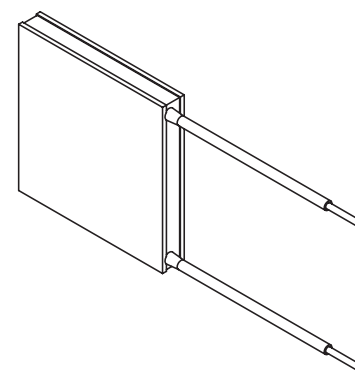
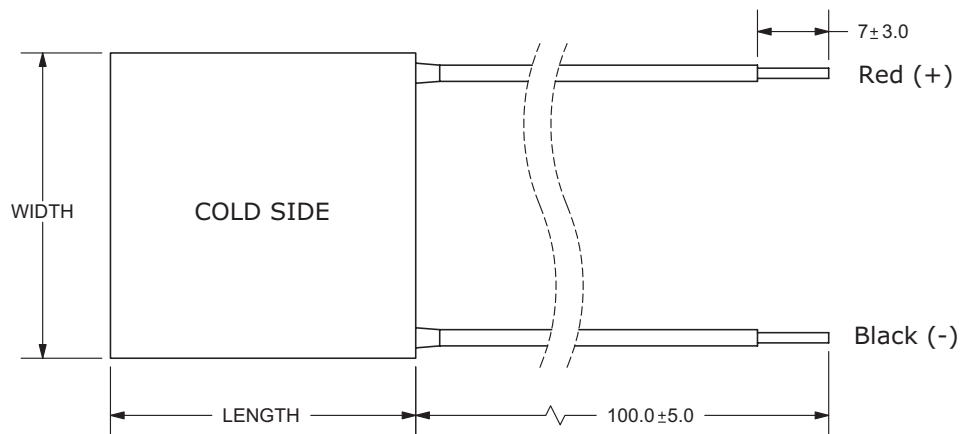
MODEL	input voltage <sup>1</sup>	input current <sup>2</sup>	internal resistance <sup>3</sup>	output Qmax <sup>4</sup>		output ΔTmax <sup>5</sup>	
	max [Vdc]	max [A]	typ [Ω±10%]	T <sub>h</sub> =27°C [W]	T <sub>h</sub> =50°C [W]	T <sub>h</sub> =27°C [°C]	T <sub>h</sub> =50°C [°C]
CP20351	15.4	2	6.7	15.2	16.9	66	72

**MECHANICAL DRAWING**

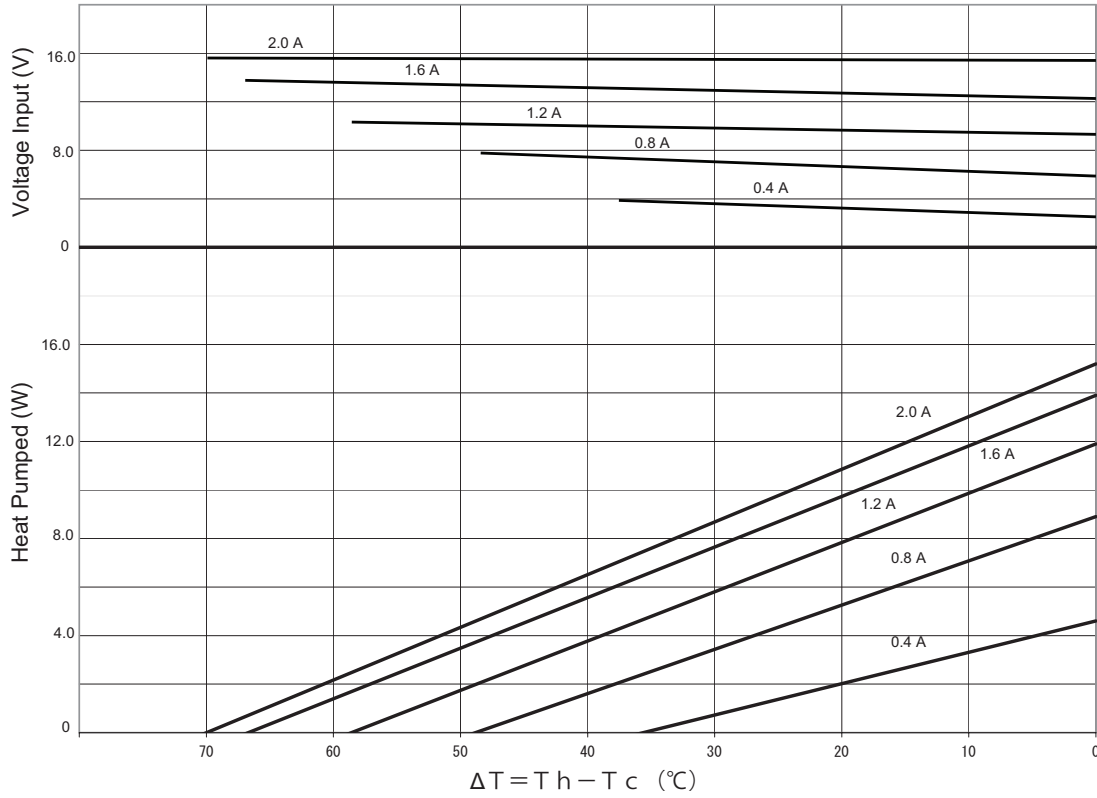
units: mm



	MATERIAL	PLATING
ceramic plate	96% AL <sub>2</sub> O <sub>3</sub>	
wire leads	22 AWG	tin
sealer	silicon rubber 703 RTV [between cold and hot side plates]	
joint cover	silicon rubber 703 RTV	
marking	P/N & S/N printed on cold side surface	



## CP20351 PERFORMANCE (Th=27°C)



## CP20351 PERFORMANCE (Th=50°C)

