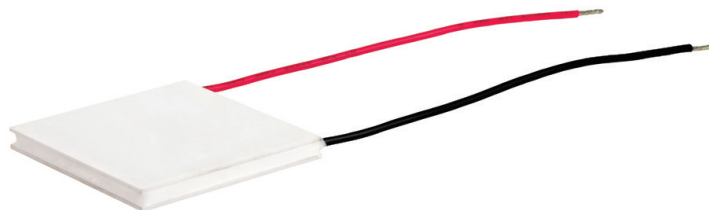




SERIES: CP85 | **DESCRIPTION:** PELTIER MODULE

FEATURES

- arcTEC™ structure on select models
- solid state device
- precise temperature control
- quiet operation

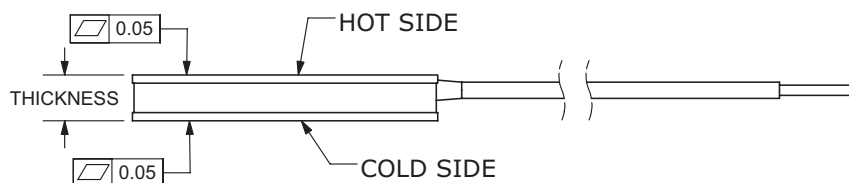


MODEL

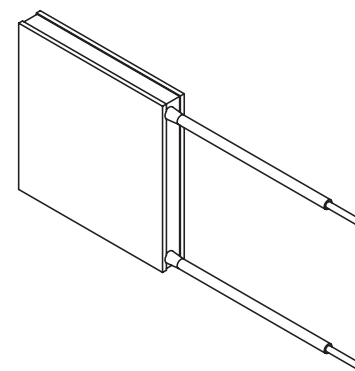
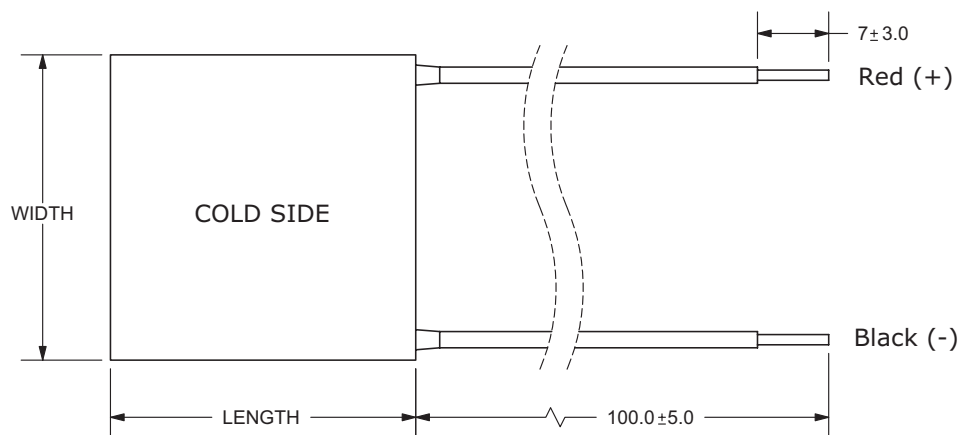
MODEL	input voltage ¹	input current ²	internal resistance ³	output Q _{max} ⁴		output ΔT _{max} ⁵	
	max (Vdc)	max (A)	typ (Ω±10%)	T _h =27°C (W)	T _h =50°C (W)	T _h =27°C (°C)	T _h =50°C (°C)
CP85435 ⁶	24.1	8.5	2.28	118	130	68	75

MECHANICAL DRAWING

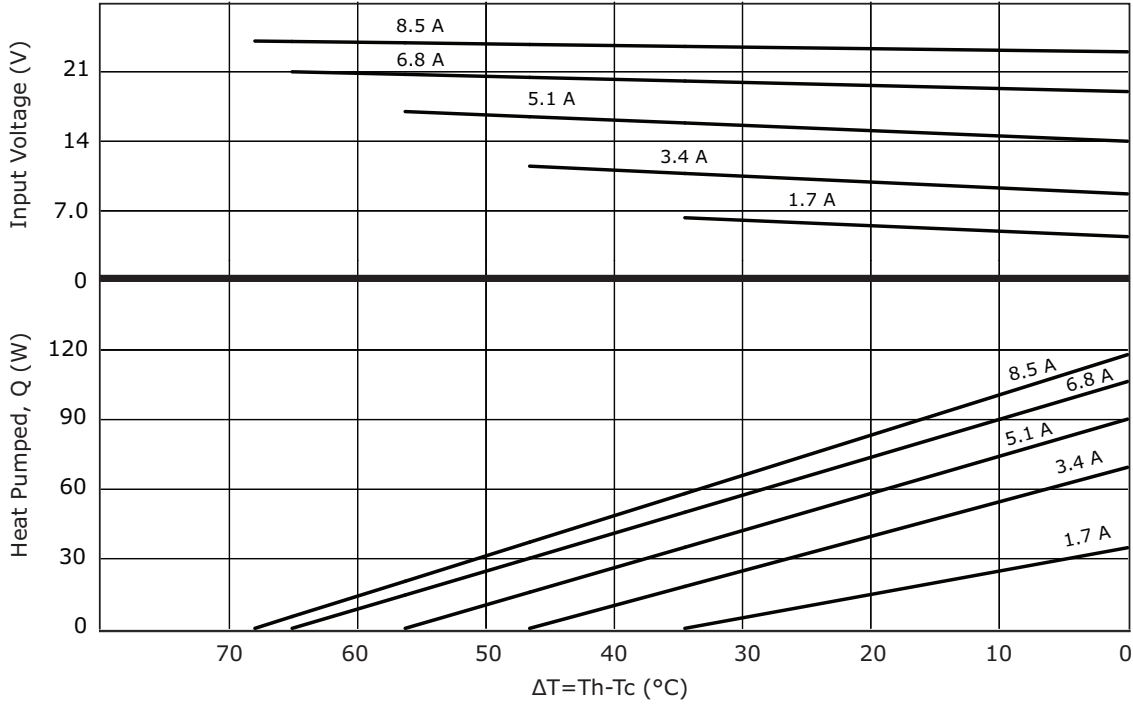
units: mm



	MATERIAL	PLATING
ceramic plate	96% AL ₂ O ₃	
wire leads	20 AWG	tin
sealer	silicon rubber 703 RTV (between cold and hot side plates)	
joint cover	silicon rubber 703 RTV	
marking	P/N & S/N printed on cold side surface	



CP85435 PERFORMANCE (Th=27°C)



CP85435 PERFORMANCE (Th=50°C)

