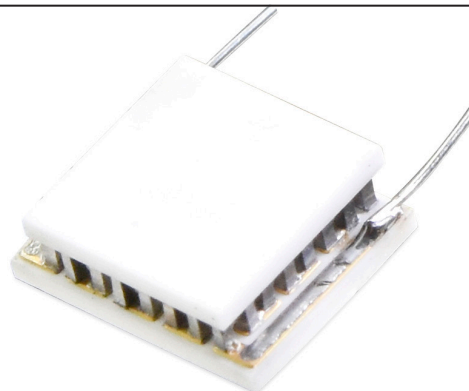




SERIES: CP07-M | **DESCRIPTION:** PELTIER MODULE

FEATURES

- micro size (less than 10 x 10 mm)
- wide ΔT max
- Q_{max} up to 1.9 W
- Au plating available, suitable for soldering
- precise temperature control
- solid state construction



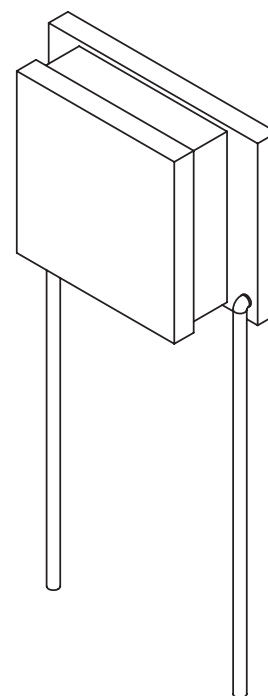
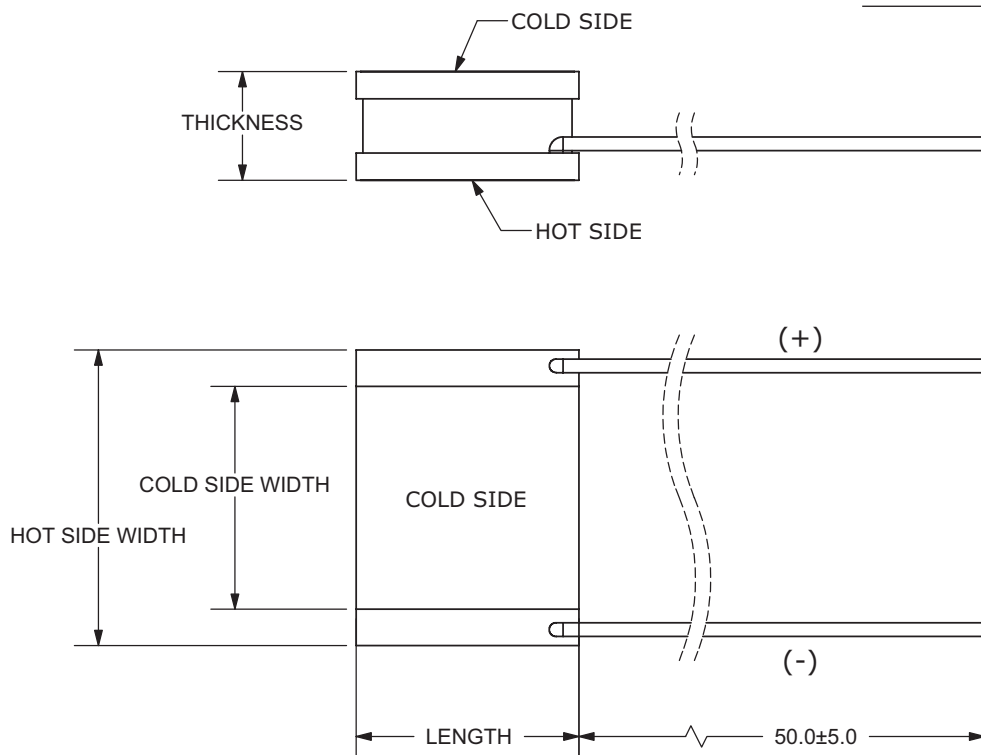
MODEL

	input voltage ¹	input current ²	internal resistance ³	output Q_{max} ⁴		output ΔT_{max} ⁵	
	max [Vdc]	max [A]	typ [$\Omega \pm 10\%$]	$T_h = 27^\circ\text{C}$ [W]	$T_h = 50^\circ\text{C}$ [W]	$T_h = 27^\circ\text{C}$ [$^\circ\text{C}$]	$T_h = 50^\circ\text{C}$ [$^\circ\text{C}$]
CP076581-238	3.9	0.7	4.17	1.7	1.9	70	77
CP076581-238P ^b	3.9	0.7	4.17	1.7	1.9	70	77

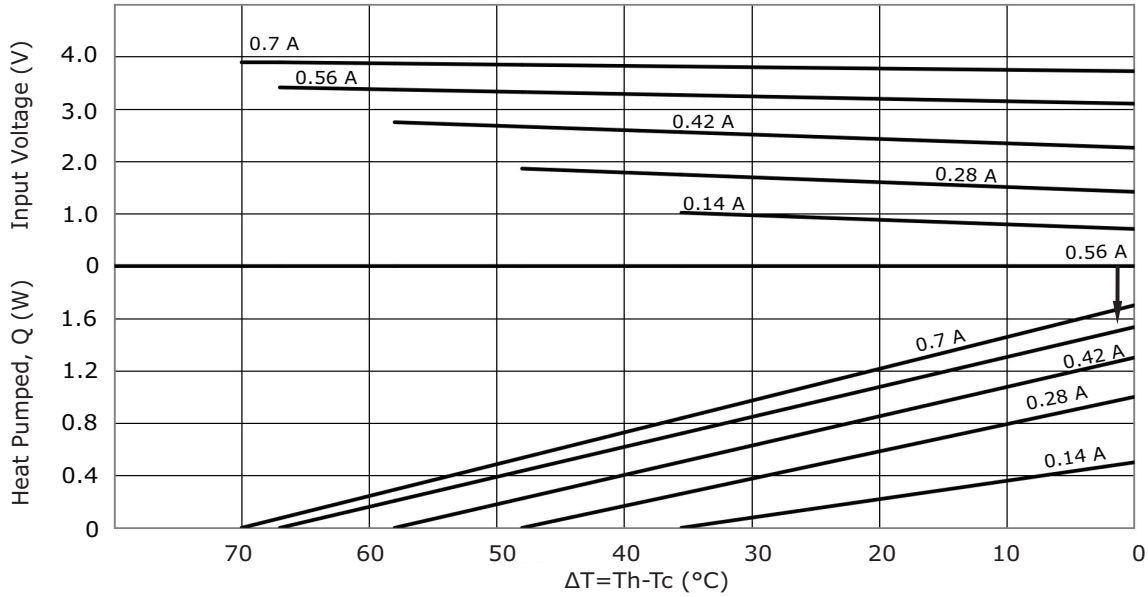
MECHANICAL DRAWING

units: mm

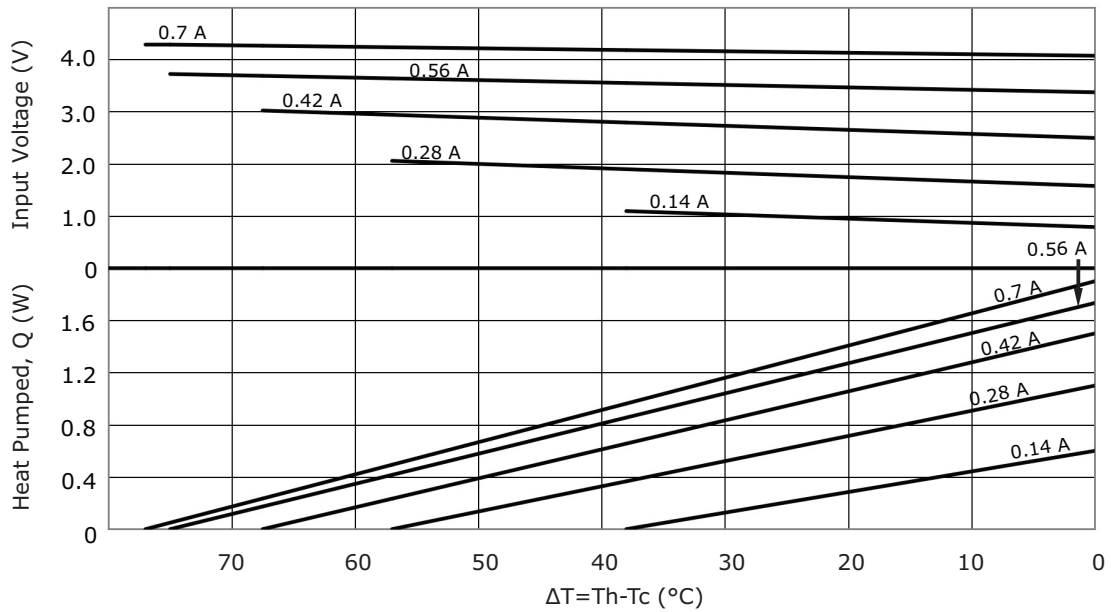
	MATERIAL	PLATING
ceramic plate	96% Al_2O_3	
wire leads	$\varnothing 0.25\text{-}0.3$ mm annealed copper	tin
sealer	no sealing	
ceramic surface	Au plating on select models	



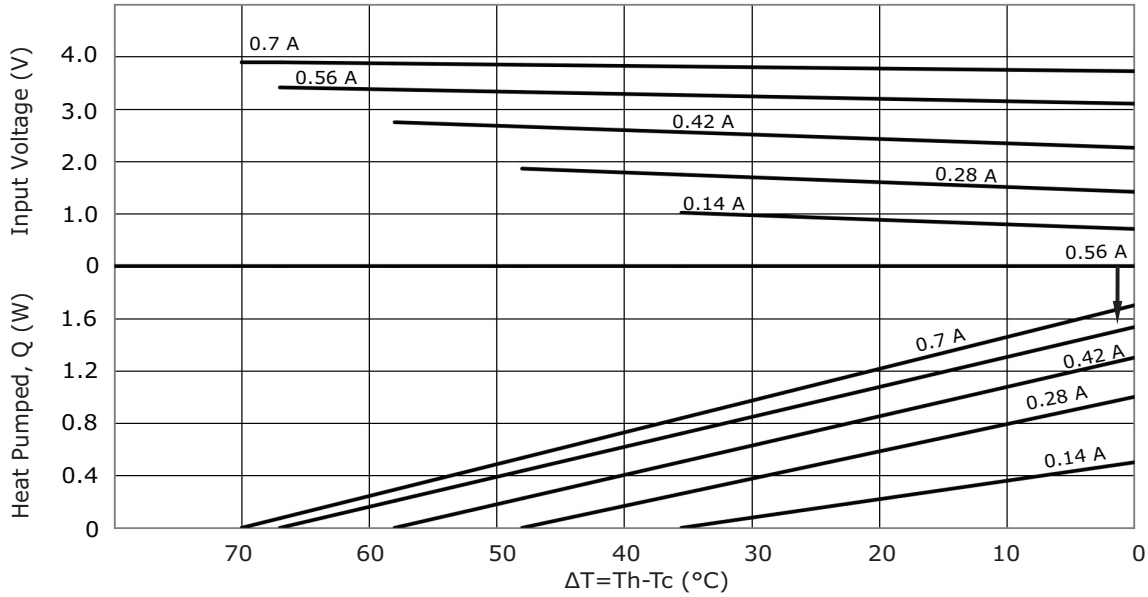
CP076581-238 PERFORMANCE (Th=27°C)



CP076581-238 PERFORMANCE (Th=50°C)



CP076581-238P PERFORMANCE (Th=27°C)



CP076581-238P PERFORMANCE (Th=50°C)

