



MODEL: HSS05-C20-SMT-TR | **DESCRIPTION:** HEAT SINK

FEATURES

- TO-220 package
- surface mount
- copper alloy
- tin plated



MODEL

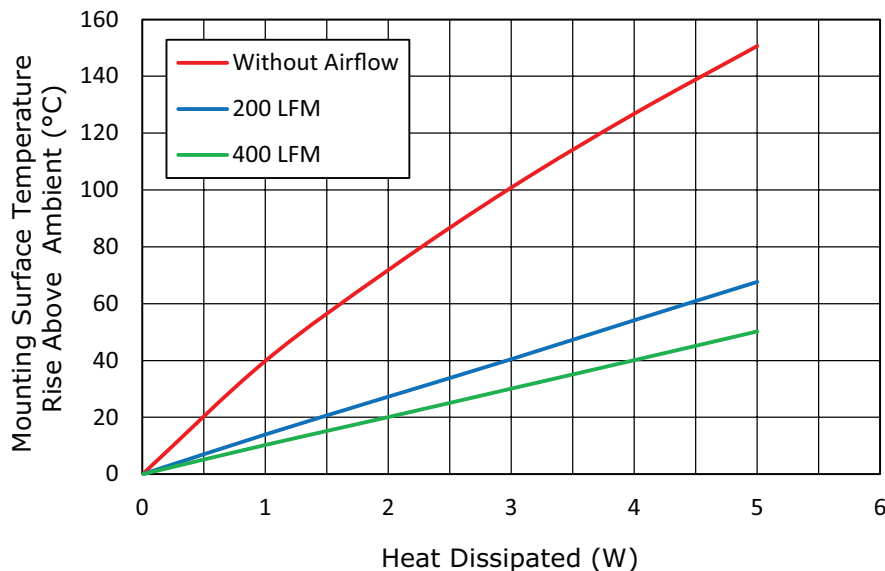
HSS05-C20-SMT-TR	thermal resistance ¹				power dissipation ¹
	@ 75°C ΔT, nat conv [°C/W]	@ 1 W, nat conv [°C/W]	@ 1 W, 200 LFM [°C/W]	@ 1 W, 400 LFM [°C/W]	@ 75°C ΔT, nat conv [W]
	32.69	39.9	14.00	10.3	2.29

Note: 1. See performance curves for full thermal resistance details.

PERFORMANCE CURVES

Power (W)	Heatsink Temperature Rise Above Ambient (ΔT = T _{hs} - T _a) [°C]		
	Natural Conv.	200 LFM	400 LFM
0	0	0	0
1	39.9	14.0	10.3
2	71.9	27.3	20.1
3	100.9	40.5	30.1
4	126.9	54.2	40.1
5	150.7	67.7	50.2

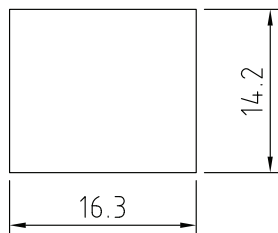
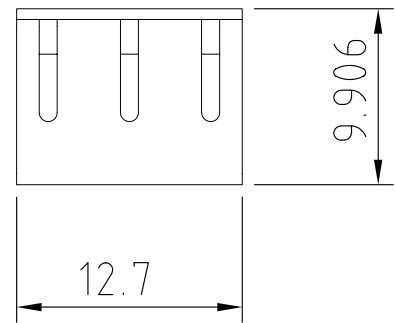
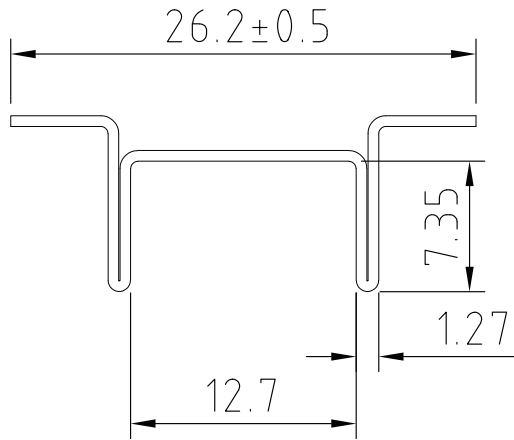
T_{hs}: "hot spot" temperature measured on the heatsink
T_a: ambient temperature



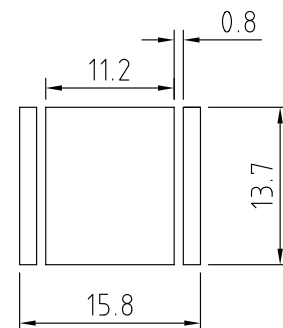
MECHANICAL DRAWING

units: mm
tolerance: ± 0.5 mm

MATERIAL	C1100
FINISH	tin
THICKNESS	0.6 mm
WEIGHT	6.0 g



Recommended Copper Heat Spreader Drain Pad Layout
Top View



Recommended Solder Mask Opening
Top View

PACKAGING

units: mm

Reel QTY: 250 pcs per reel

